



Buy it for looks. Buy it for life.®

# Specifications

## DESCRIPTION

- Brass construction
- 1/2" CC, IPS, or PEX connections with 1/4 turn stops
- Pressure balancing, four port, cycle valve

## OPERATION

- Adjustable temperature limit stop to control maximum hot water temperature
- Pressure balancing mechanism maintain selected discharge temperature to  $\pm 3^{\circ}\text{F}$

## CARTRIDGE

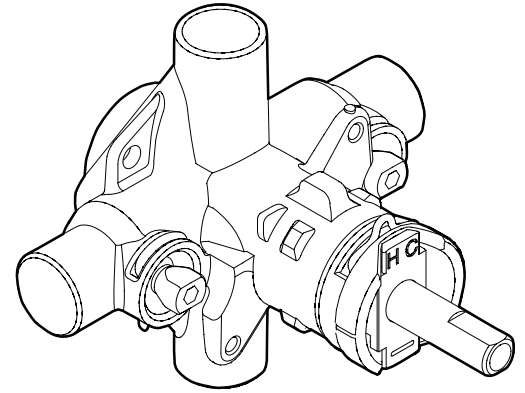
- 1222 cartridge design
- Nonmetallic/nonferrous and stainless steel materials
- Accommodates back to back installations

## STANDARDS

- Third party certified to meet CSA B125.1, ASME A112.18.1, ASSE 1016, and all applicable requirements referenced therein
- Moen's Posi-Temp® and Moentrol® valves with graphite composite spools combined with Moen's Eco-performance showerheads meet the performance requirements of pressure and temperature variation of ASSE1016 when tested as low as 1.5 gpm

## WARRANTY

- Lifetime limited warranty against leaks, drips and finish defects to the original consumer purchaser
- 5 year warranty if used in commercial installations



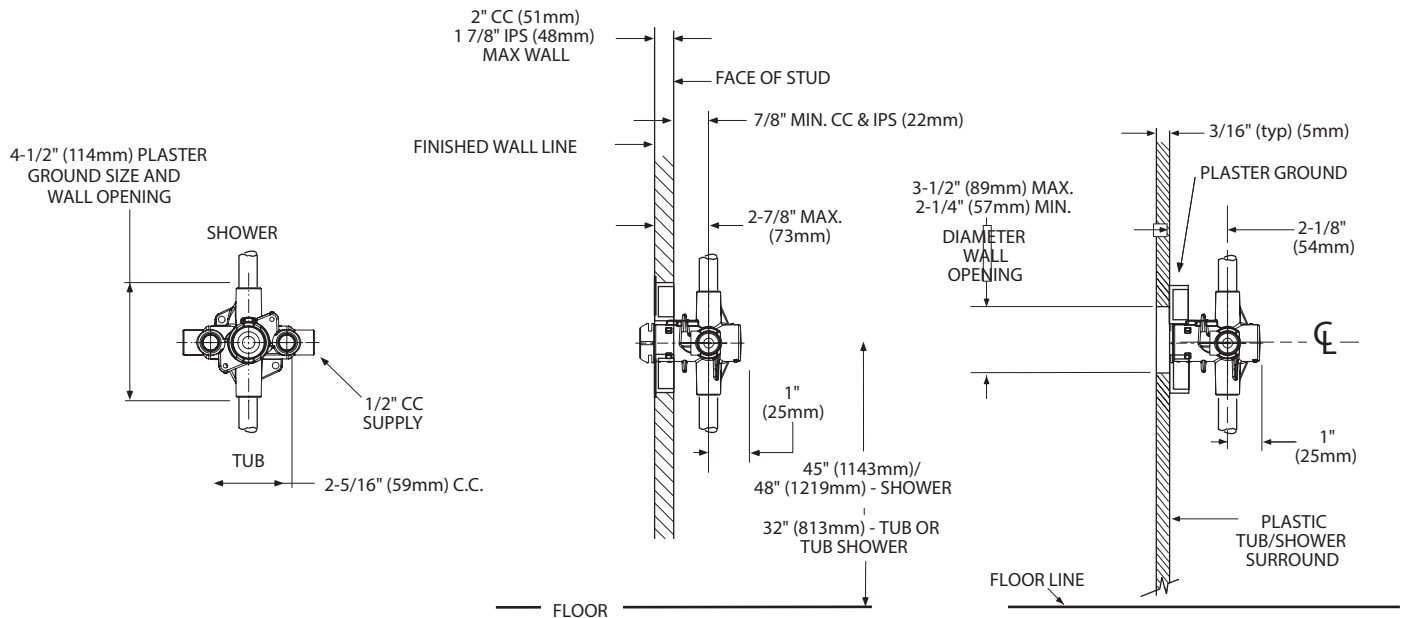
## POSI-TEMP® VALVE Pressure-Balancing Valve with 1/4 Turn Stops

### Single Pack

Models: 2570 (CC), 2590 (IPS), 2580 (PEX)

### Bulk Packed

Models: 62370 (CC), 62390 (IPS)  
(Bulk packed 12 per carton)



## CRITICAL DIMENSIONS

(DO NOT SCALE)